

icanCLAVE



ICANCLAVE E series
Class N autoclave 18L, 23L



Sterilization cycles

Two sterilization programs, 121°C/1.1Bar and 134°C/2.1Bar.



Time

Adjustable sterilization and drying time.



Pressure safety lock

It only allows the door to open when the pressure is 0.



Drying (option)

Heat drying function.



Automatic pressure release

Automatically discharge of water and steam after cycle over.



High precision control

High precision temperature control within 0.1 °C.



Protection

Temperature and pressure overload protection.



Safety door lock

It only allows the cycle to start when the door is properly locked.



Drying + (option)

Drying plus function for reducing drying time and better drying result.



Icanclave E is class N steam sterilizer series which includes the chamber size of 18L, 23L, and 50L, they provide an economic sterilization solution for dental clinics, laboratories, cosmetic hospitals, tattoo shops, veterinarians, etc.

E - X X X

18: 18Liter; 23: 23Liter;

3: no drying 4: with drying* 5: with drying and drying plus*

*drying: drying by heater. For better drying results, open the door and leave a small gap once the autoclave finishes the cycle.

*drying plus: it equips with an additional air compressor that is activated automatically once the cycle is finished improving drying results.

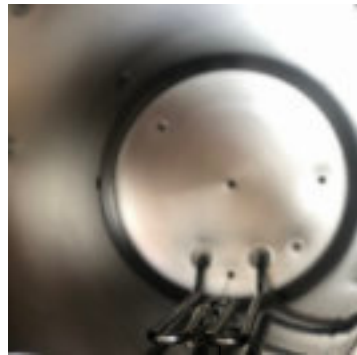
Fox Example : E418 means E series 18L autoclave with drying function

How to order

E*18, E*23

Technical Parameter

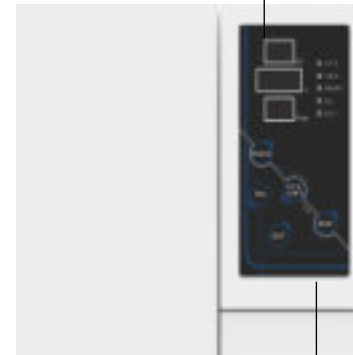
Order Code	E318/E323	E418/E423	E518/E523
Model Number	STE-18-E(18L)/ STE-23-E(23L)		
Chamber Size	Φ250x350mm(18L)/Φ250x450mm(23L)		
Electrical Supply	220~240 V/50Hz, 110~120V/60Hz		
Power	1500VA		
Sterilization Temp.	121°C / 134°C		
Sterilization Time 121°C	Default 30min (30~60min adjustable)		
Sterilization Time 134°C	Default 10min (10~20min adjustable)		
Pressure	1.1Bar/121°C, 2.1Bar /134°C		
Automatic Discharge	Yes	Yes	Yes
Dry Time	No	Default 60min (1~60min adjustable)	
Dry+ Time	No	No	Default 60min 1~60min adjustable
Net Weight	32 kg(18L)/36kg(23L)	33 kg(18L)/37kg(23L)	33.5 kg(18L)/37.5kg(23L)



Heater



Safety Lock



Operating Membrane

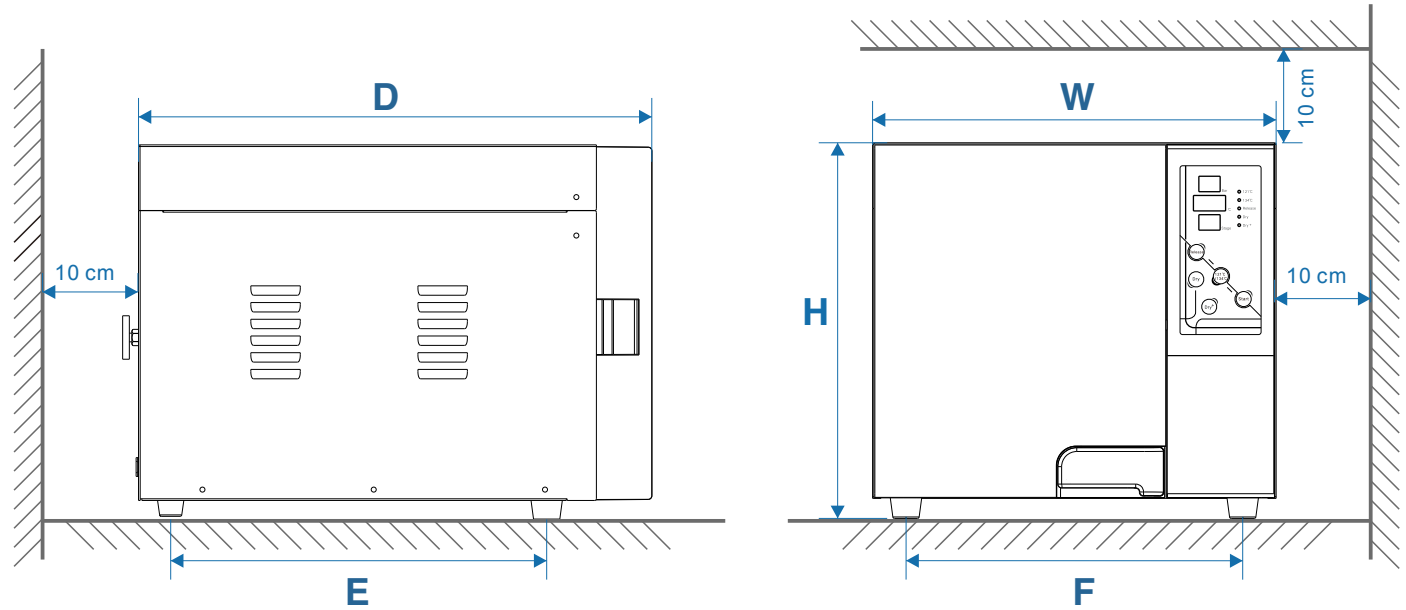


Discharge Port

Power Switch

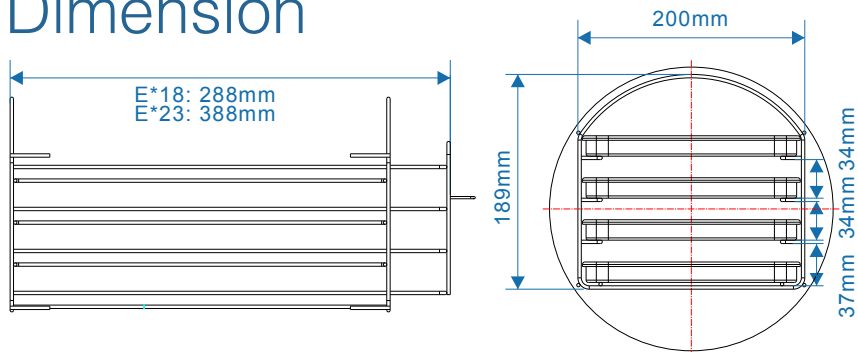
Display Window

Installation & Overall Dimension

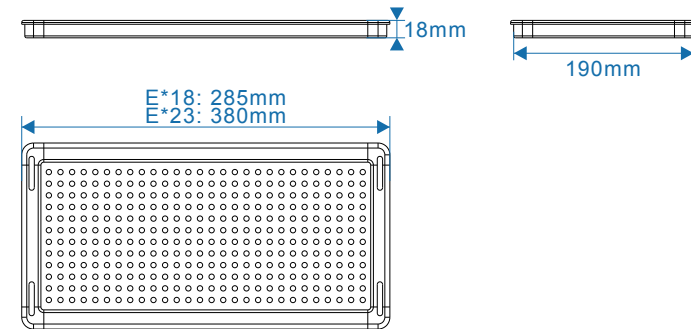


Item	W	H	D	E	F
E*18	483mm	450mm	515mm	350mm	403mm
E*23	483mm	450mm	615mm	450mm	403mm

Rack & Tray Dimension



Tray Dimension



* Number of Trays: 2 Pcs Standard, 4 pcs Option.

